

DC-B2SCD

Straight Glass, Self Contained

REFRIGERATED DELI/MEAT/CHEESE/SALAD CASE



Standard Features

- Straight front glass
- Granite work counter
- Interior LED lighting
- Additional refrigerated under-shelf storage cabinet
- ABS sides - (off-white)
- Painted white front and base
- Front bumper - different colours available
- Digital temperature display
- Gravity cooling system
- Automatic defrost cycle system
- Automatic condensation disposal
- Front glass defogging system
- Flat inserts

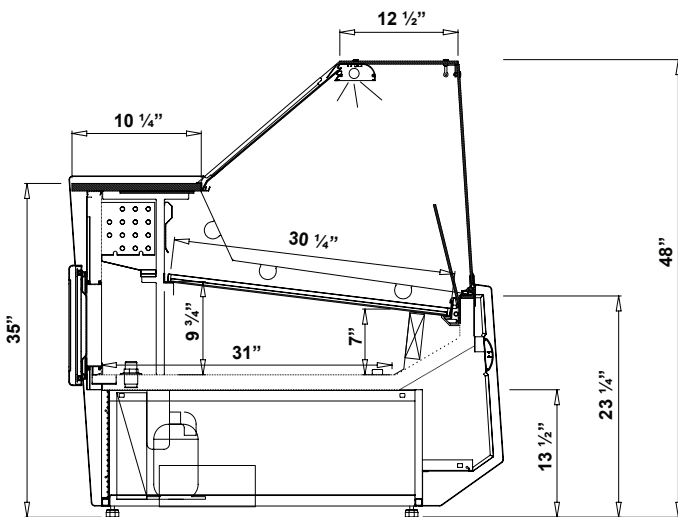
Options

- Remote compressor
- Corner units available
- All stainless steel base and front
- Possibility of multiplexing merchandiser
- Self-served units upon request
- Variety of finished colours
- Steps insert

Metal element colours

- Black, White or Stainless Steel
- Other colors available upon request

Technical Drawing



Dimensions

Model	Dimension W x D x H	Weight (lbs / kg)
DC-B2SCD-5	64 3/4" x 46 1/2" x 48"	419 / 190
DC-B2SCD-6	77 1/4" x 46 1/2" x 48"	474 / 215
DC-B2SCD-8	101 1/2" x 46 1/2" x 48"	639 / 290
DC-B2SCD-12	150 3/4" x 46 1/2" x 48"	

*Customizable options available

** Multiple sizes available

Voltage

- DC-B2SCD-5: 115V | 1ph | 60 Hz | 8A, max. fuse: 15A
- DC-B2SCD-6: 115V | 1ph | 60 Hz | 8A, max. fuse: 15A
- DC-B2SCD-8: 115V | 1ph | 60 Hz | 8A, max. fuse: 15A
- DC-B2SCD-12: 115V | 1ph | 60 Hz | 8A, max. fuse: 15A

* Specifications are subject to change without notice.

**All measurements are approximates.

***All equipment are designed to operate in a controlled environment below 75°F (+24°C) temperature and HR 55% relative humidity.