

## PCCG2SRO

2 Shelf

### OPEN DISPLAY MERCHANDISER



#### Standard Features

- Internal cooling aggregate
- Dynamic cooling (ventilated) system
- Ecological polyurethane foam insulation
- Upper interior lighting + additional illumination of each shelf - LED lights
- 2 pcs of glass shelves with height and angle adjustment placed on the frame
- Automatic defrost system
- Automatic condenser vaporization
- Electronic temperature controller with digital display
- Condenser impurity or fan operation failure alarm

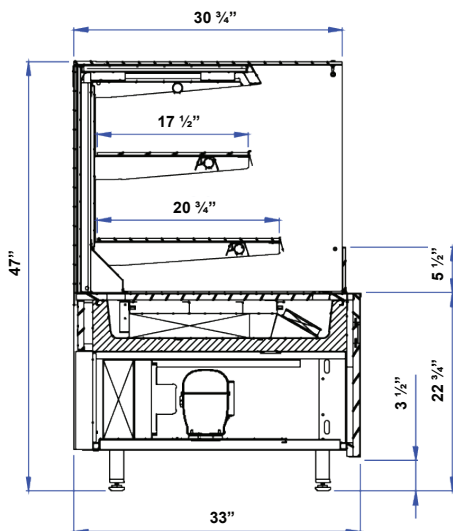
#### Options

- Other colours available
- Option of multiplexing
- Internal frame available in silver or gold

#### Metal element colours

- Black, White or Stainless Steel
- Other colors available upon request

#### Technical Drawing



#### Dimensions

Model	Dimension W x D x H	Weight (lbs / kg)
PCCG2SRO2	24" x 33" x 47"	-
PCCG2SRO3	36" x 33" x 47"	-
PCCG2SRO4	51 1/2" x 33" x 47"	-

- \* Customizable options available
- \* Multiple sizes available

#### Voltage

- PCCG2SRO2: 115V / 1ph / 60 Hz
- PCCG2SRO3: 115V / 1ph / 60 Hz
- PCCG2SRO4: 115V / 1ph / 60 Hz

\* Specifications are subject to change without notice.  
\*\*All measurements are approximates.

\*\*\*All equipment are designed to operate in a controlled environment below 75°F (+24°C) temperature and HR 55% relative humidity.